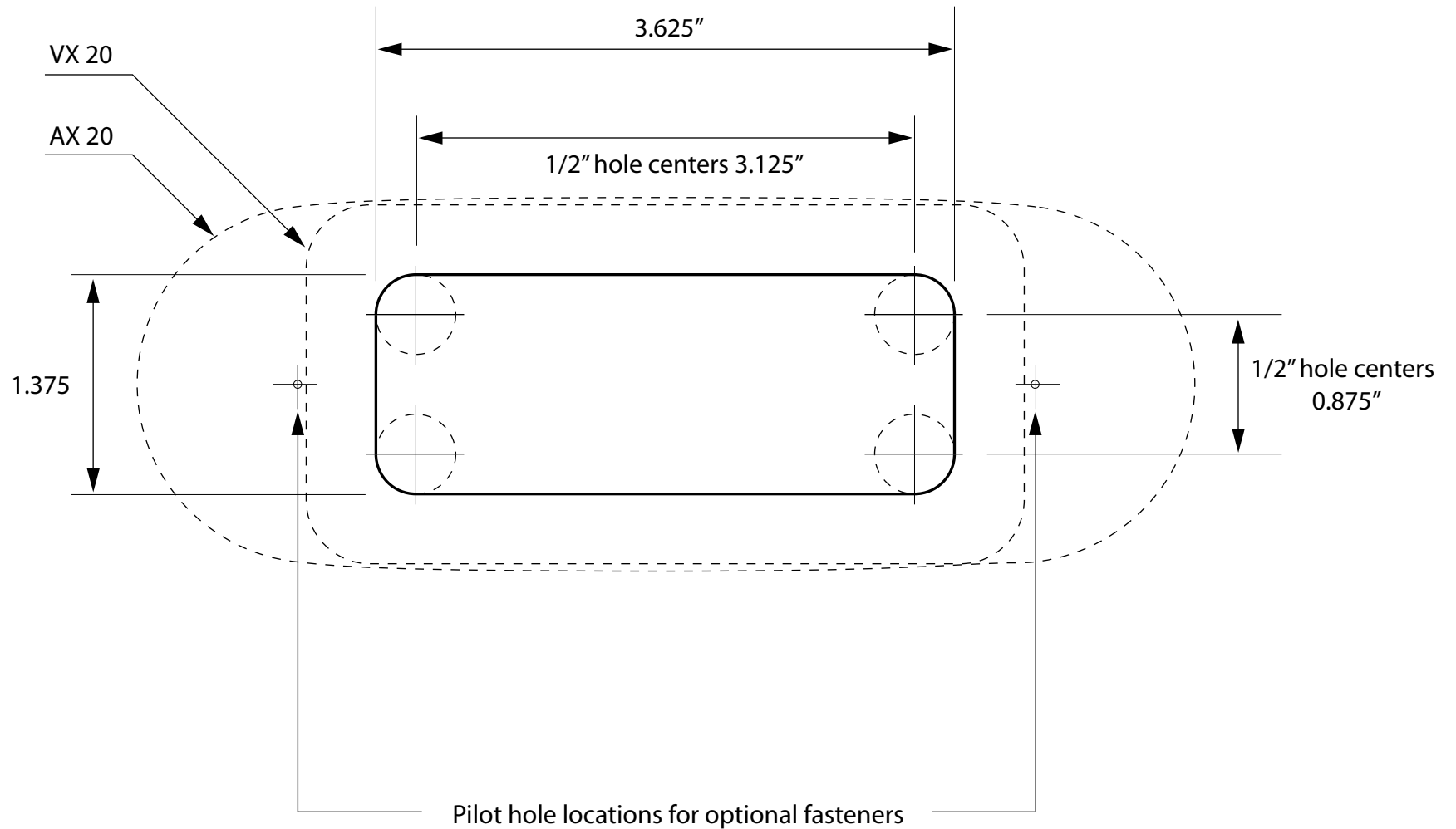


# AX20 and VX20 Cutout Template



Note:  
To print actual size, set Page Scaling to NONE in the Acrobat print dialog.