



**Bathe**Luxuriously



## ProJet

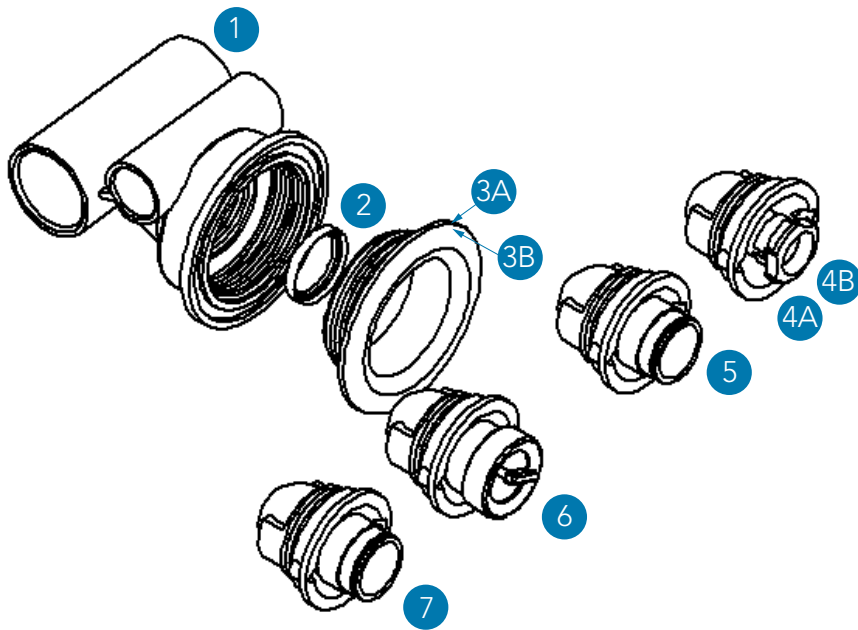
The most efficient jet for a luxurious bath

- Ideal for quick installation
- Short or long heads allow for installation up to 1" thickness
- Designed to meet ASTM standards for high performance and reliability
- High quality, product efficiency and easy customizability
- Designed to put more jets on a smaller pump, reducing costs



**BALBOA**  
water group

# PRO JET



## SPECIFICATIONS

Pro Jet Head	High Impact ABS
Pro Jet Nozzle	High Impact ABS
Pro Jet Venturi	PVC
Gasket	Flexible Vinyl

## NOZZELS

80% Shut Off	Standard Directional Designer Directional Designer 7-Port Designer Swirl
100% Shut Off	Standard Directional

## VENTURI CONFIGURATIONS

Close Offset	1/2" Air x 1" Water
--------------	---------------------

ITEM NO.	PART NO.	DESCRIPTION
1	2111001	Venturi Pro Jet
2	6021002	Gasket Pro Jet
3A	2112001XXX	Jet Head Short Pro Jet .71"
3B	2112222XXX	Jet Head Long Pro Jet 1.42"
4A	2110105XXX	Standard Directional 80% Shut Off
4B	2110115XXX	Standard Directional 100% Shut Off
5	2110110XXX	Designer Directional 80% Shut Off
6	2110108XXX	Designer Swirl 80% Shut Off
7	2110109XXX	Designer 7 Port 80% Shut Off
	2110002XXX*	Sleek Directional 80% Shut Off (not shown)

Replace XXX with the finish designation for ordering. Availability includes:

001 White	PPB Polished Brass
142 White	PSN Satin Nickel
035 Bone	PPC Polished Chrome
131 Biscuit	PBN Brushed Nickel
	POB Oil Rubbed Bronze

JET0209

© 2009 Balboa Water Group. Your Single Source Solution. All rights reserved.  
1382 Bell Avenue | Tustin, CA 92780 | p 714.384.0382 | www.balboawatergroup.com

**BALBOA**  
water group

