



IndulgentEscape



HighflowSuction

High-flow suction

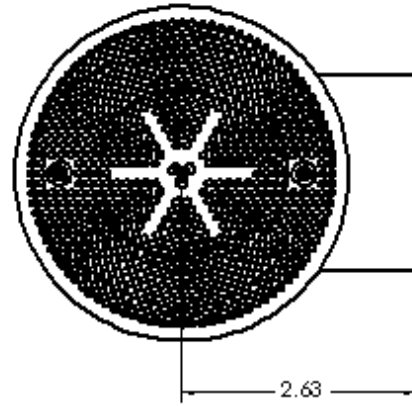
- Meets IAPMO and UL approval with a rating of 122GPM
- Integrated relief tube to reduce the suction force
- Cover is cosmetically interchangeable
- High performance and reliability
- Designed to rigorous ASTM standards



BALBOA
water group

INFORMATION

Part Number	Description
3327006XXX	Hi-Flow Cover
2619002	Hi-Flow Suction Fitting Kit – Standard Head
2619003	Hi-Flow Suction Fitting Kit – Long Head

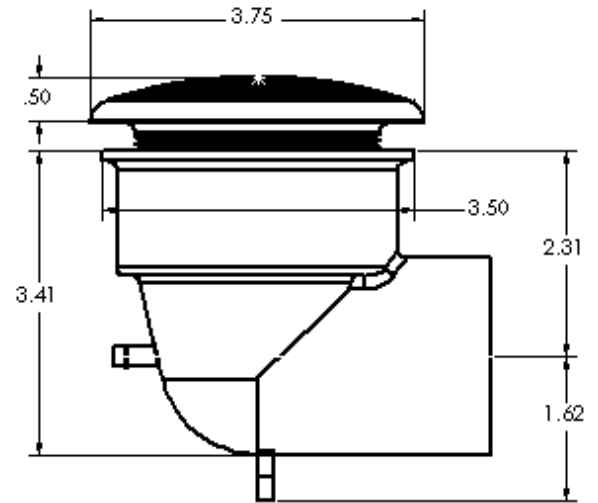


SPECIFICATIONS

Cover	High impact ABS
Head	High impact ABS
90° Elbow	PVC
Tubing	Flexible Vinyl
Screws	Stainless Steel
Cable tie	Nylon
Threaded insert	Brass

FINISH SELECTIONS INCLUDE:

- White
- Bone
- Biscuit
- Polished brass
- Stain nickel
- Polished chrome
- Brushed nickel
- Oil rubbed bronze



SUCTION0209

© 2009 Balboa Water Group. Your Single Source Solution. All rights reserved.
1382 Bell Avenue | Tustin, CA 92780 | p 714.384.0382 | www.balboawatergroup.com

BALBOA
water group