

Advanced Hot Tub Control Systems
all at your fingertip.



GS Series

Your Single Source Solution

- 100% Energy Efficient
- Energy Saving Off-Peak Programmable Modes
- European/AU Safety Approvals
- Advanced M7® Smart Control Technology
- Over 2 Million Systems Installed Worldwide
- Customizable Topside Panel Overlay



BALBOA
water group

Proven Reliability – Advanced Control System With M7® Smart Sensor Technology

With over 2 million controls in spas worldwide utilizing the M7® technology, the GS series of spa control systems are built using patented M7® Smart Sensor water flow technology and deliver maximum performance and satisfaction. The GS series is a universal control platform, increasing feature flexibility and reducing configuration headaches. With this combination of our patented M7® temperature and water flow sensing technology, BWG leads the industry in quality and reliability.

Green Operation – Flexible Schedules & Energy Saving Modes

With Balboa's 100% energy efficient heating system and programmable filtration cycles the user is in control of when the tub operates. Take advantage of off-peak rates to reduce your energy consumption. The GS system also comes standard with additional energy saving modes including Sleep & Economy settings which can further reduce energy usage.

Worry Free Installations

In addition to the simplified wiring design, Balboa has eliminated plumbing installation problems too. Balboa's patented M7® heaters are designed so they can be installed on the pressure or vacuum side of the pumps and also support circulation pump configurations. The GS also supports all European voltages and can accommodate 1 to 3 phases and up to 50 Amps of current. (Configurations include: Single Service 1 x 16 or 1 x 32 Amp or Dual service 2 x 16 Amp TN & TT Electrical systems that accommodates 5 wires – 2 Lines + 2 Neutrals + Protective Earth).

Convenience Devices

The GS system has built in support for multiple auxiliary devices including additional:



1. LED Lights



2. TV Lifts



3. Control Panels



4. Ozonators



5. Stereo



6. Dolphin Remote

These and other devices around the tub are powered by dedicated outputs.

The Selling Price Of A Spa Pack System Is Only A Fraction Of Its Comprehensive Lifetime Cost

Equipment failure and servicing costs can be staggering over the life of a product. That's why Balboa builds the highest reliability products available and even provides remote diagnostic tools to help OEM manufacturers and service technicians cut costs in the installation and repair processes.



**All Balboa
Systems are
GREEN
ENERGY EFFICIENT**

Balboa Systems uses water immersion Technology which is 100% energy efficient. All energy are transferred into the water.



Safer Topside Panel Operation - Piezo® Switches

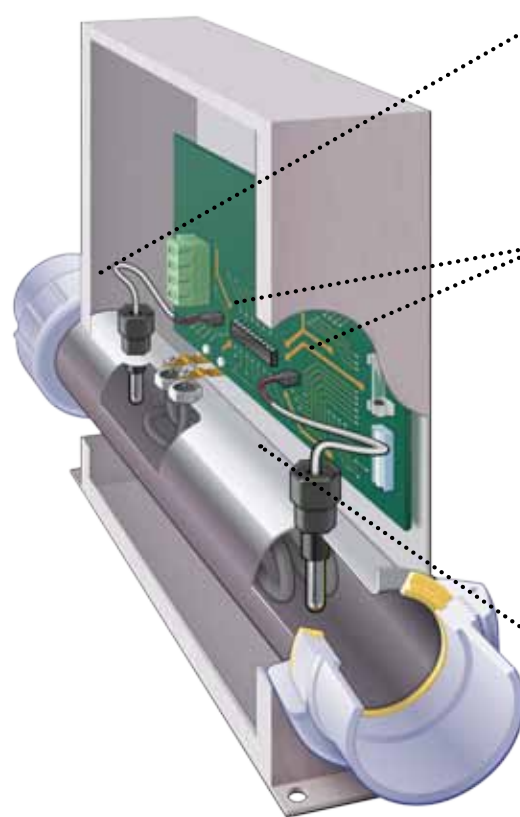
The VL Series of topside panels were designed to work with the GS (Global) Series of hot tub control systems. These panels use Balboa's patented Piezo moisture proof technology that operates without electrical current at the switch. That allows the panel to be installed facing the inside of the tub for ease-of-use by the tub owner. The Piezo is also four times larger than the average membrane switch, which makes it the perfect size for a fingertips.

Moisture can cause premature failure of a membrane switch no matter how small. Balboa's patented Piezo switch technology makes our panels more reliable due to its design with no moving parts, no contacts, no air gaps and no electrical current to cause problems. The panels support the advanced functions of the GS controls that use Balboa's patented M7® temperature and flow sensor technology and the universal control platform. The sleek panels have LCD graphical displays with moving function indicator icons, maintenance reminders and service alerts on the easy-to-read screen and can have customized overlay for building your own brand image.

M7® Smart Sensor Technology Overview

M7 Smart Sensor Technology

The GS system was built around Balboa's patented M7 temperature and flow sensor technology. Our M7 technology virtually eliminates problems of pressure switches. Advantages are that installation is simplified, as no holes have to be drilled into the spa. Routine maintenance and adjustments, down time, and service costs are greatly reduced overall.



Heater Tube

- No welds required on tube
- 316 stainless steel available
- Front mounted
- Easier to service

Smart Sensor Technology

- Both sensors are identical
- Sensors monitor each other via software to regulate spa function (water flow, temperature)
- Assures a proper operating environment for the heating element
- Multiple high limit safety systems
- All safety functions are always active
- Eliminates excessive cycling
- Automatically adapts to flow direction
- Detects flow restrictions such as a dirty filter or slice valve
- Minimizes calcium buildup on the element

Heater Element

- Incoloy & Titanium material options
- Enlarged bend radius
- No tie wires
- Minimizes debris buildup
- Maximizes flow through
- 3/8" hex nut connectors for added stability and contact area

GS Series Specifications

Devices/ Function	GS500	GS501	GS504	GS510 GS512 GS513 GS514	GS511	GS515	GS520	GS521	GS523	GS525
Circ Pump 24 Hr with	24 Hr with 3° F above set temp shut off	24 Hr with 3° F above set temp shut off	24 Hr with 3° F above set temp shut off	24 Hr with 3° F above set temp shut off	24 Hr with 3° F above set temp shut off		24 Hr with 3° F above set temp shut off	24 Hr with 3° F above set temp shut off	24 Hr with 3° F above set temp shut off	24 Hr with 3° F above set temp shut off
Pump 1-Max 12A	1 Spd (circ) or 2 Spd	1 Spd (circ) or 2 Spd	1 Spd (circ) or 2 Spd	1 Spd (circ) or 2 Spd	1 Spd (circ) or 2 Spd	2 Spd	1 Spd (circ) or 2 Spd	1 Spd (circ) or 2 Spd	1 Spd (circ) or 2 Spd	1 Spd (circ) or 2 Spd
Pump 2-Max 12A		or Blwr	1 Spd	1 Spd	2 Spd	1 Spd	2 Spd	2 Spd	2 Spd	2 Spd
Pump 3				or Blwr		or Blwr	or Blwr			
Pump 4									or Blwr	
Blower-Max 8A		1 Spd		1 Spd		1 Spd	1 Spd		1 Spd	
Ozone Recommended	Balboa Ozone (CE Certified)									
Optional Lift/ Mister								Yes	Yes	Yes
Optional Auxiliary Output	Yes									
Synchronized MoodEFXTM	Yes									

Common Specifications

Voltage	230 VAC 50Hz
Heater	1.0-3.0 Kw Stainless Steel
Certifications	Nemko, CE

Measurements



Compatible Panels

STANDARD PANELS



Panel VL700S
Dim(cm) 24.94 x 7.98



Panel VL701S
Dim(cm) 18.67 x 8.28



Panel VL402
Dim(cm) 18.54 x 8.28



Panel MVP260
Dim(cm) 17.78 x 5.46



Panel VL401
Dim(cm) 16.05 x 5.72



Panel MVP240
Dim(cm) 13.39 x 4.93



Panel Mini Series
Dim(cm) 11.02 x 4.01

DUPLEX PANELS